



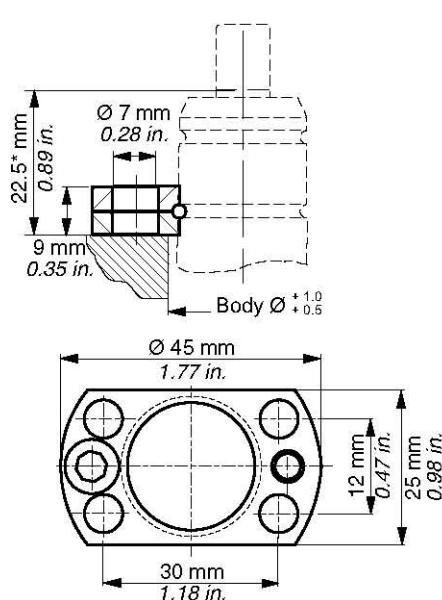
Technical Bulletin

Subject: Clarification of FCR Flanges for T2-90	Date: 1/20/2012	Issue: 12-02
	Issued By: C. Hansen	Page(s): 1 of 1

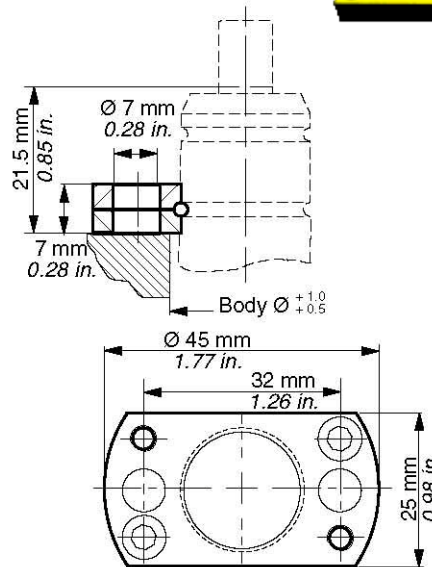
In the latest T2 Mini Series brochure, issued in October 2011, we included two FCR flanges for the T2-90 gas spring. One has two holes and the other has four, and they have slightly different dimensions from one another.

In the same brochure, we corrected a part number error that we had discovered. Unfortunately this has caused some confusion for customers re-ordering parts as well as for new customers referring to outdated literature.

Below are the two FCR flanges with the correct part numbers.



Order No. T2-90-FCR



Order No. FCR-19

Our customer service reps as well as regional sales managers are aware of the issue and will check orders as much as possible to ensure that customers receive the correct parts.